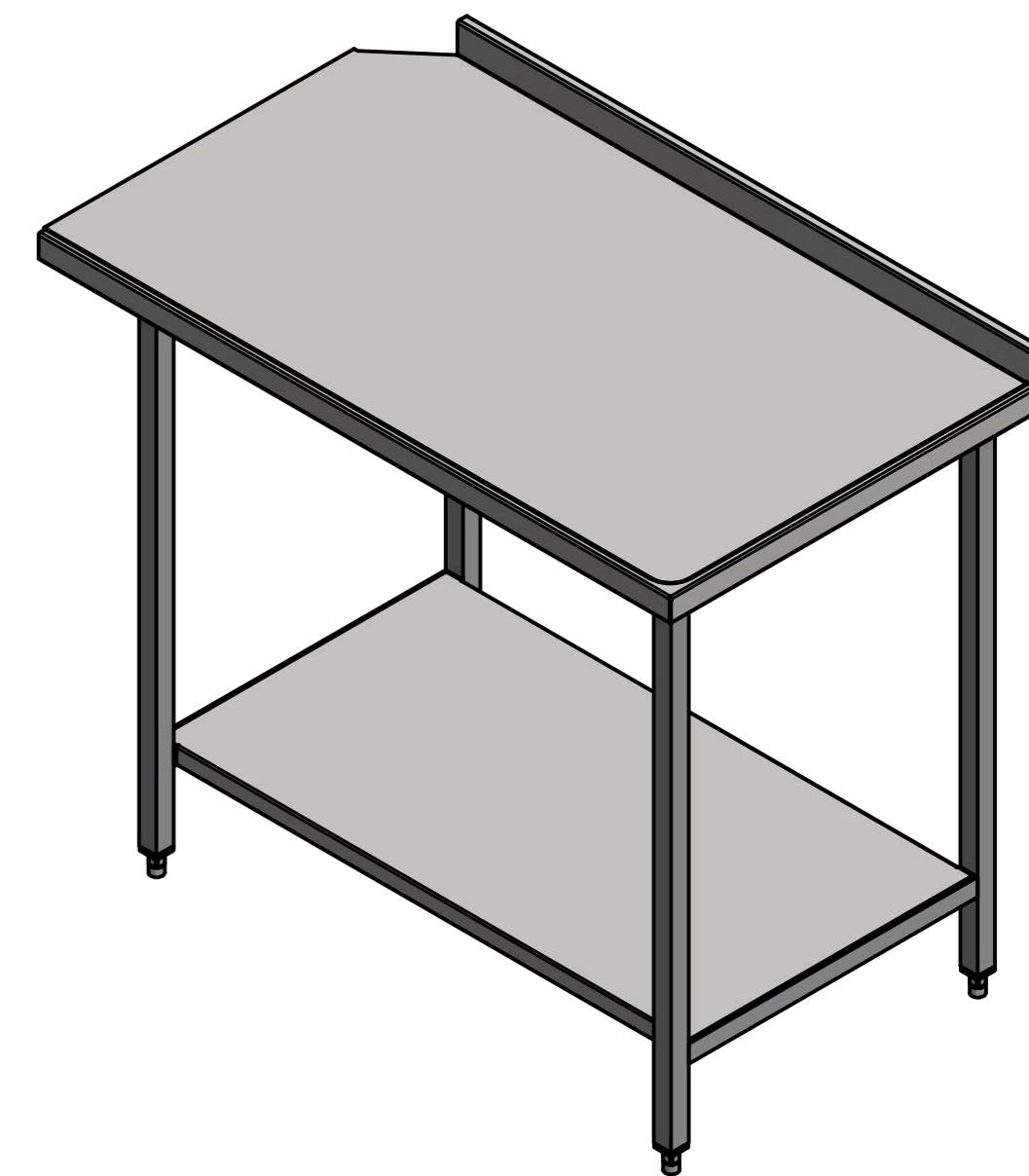
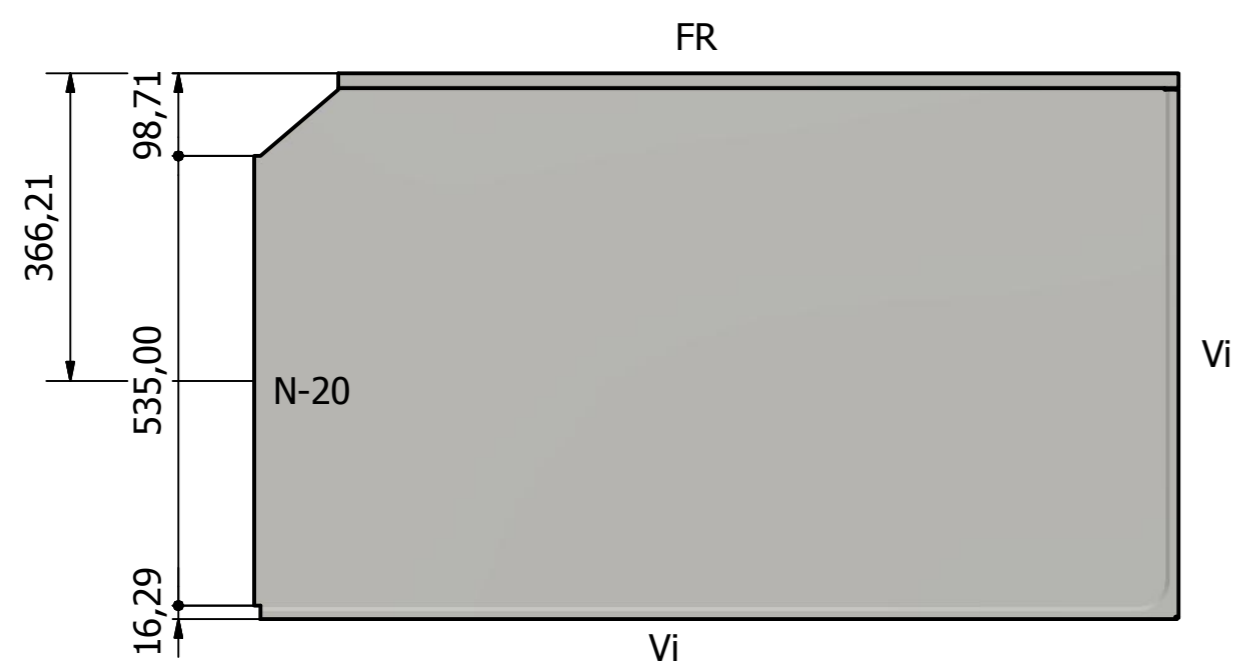
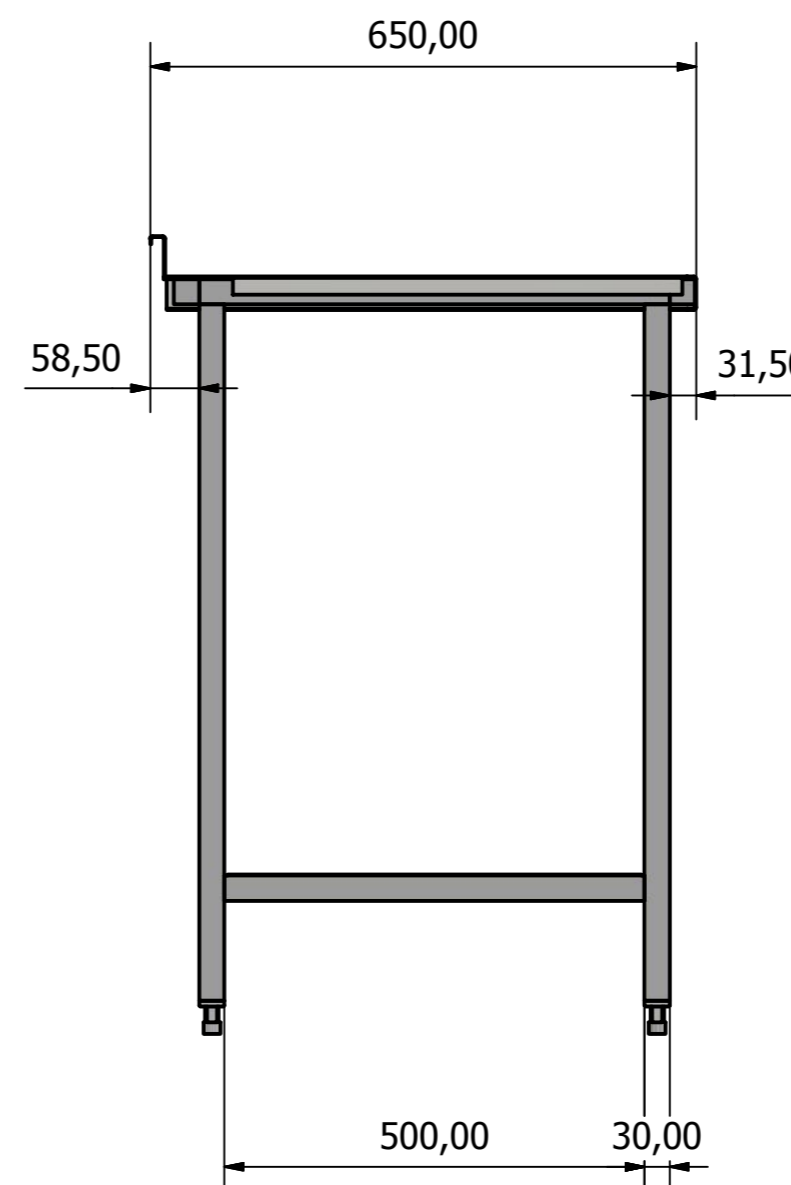
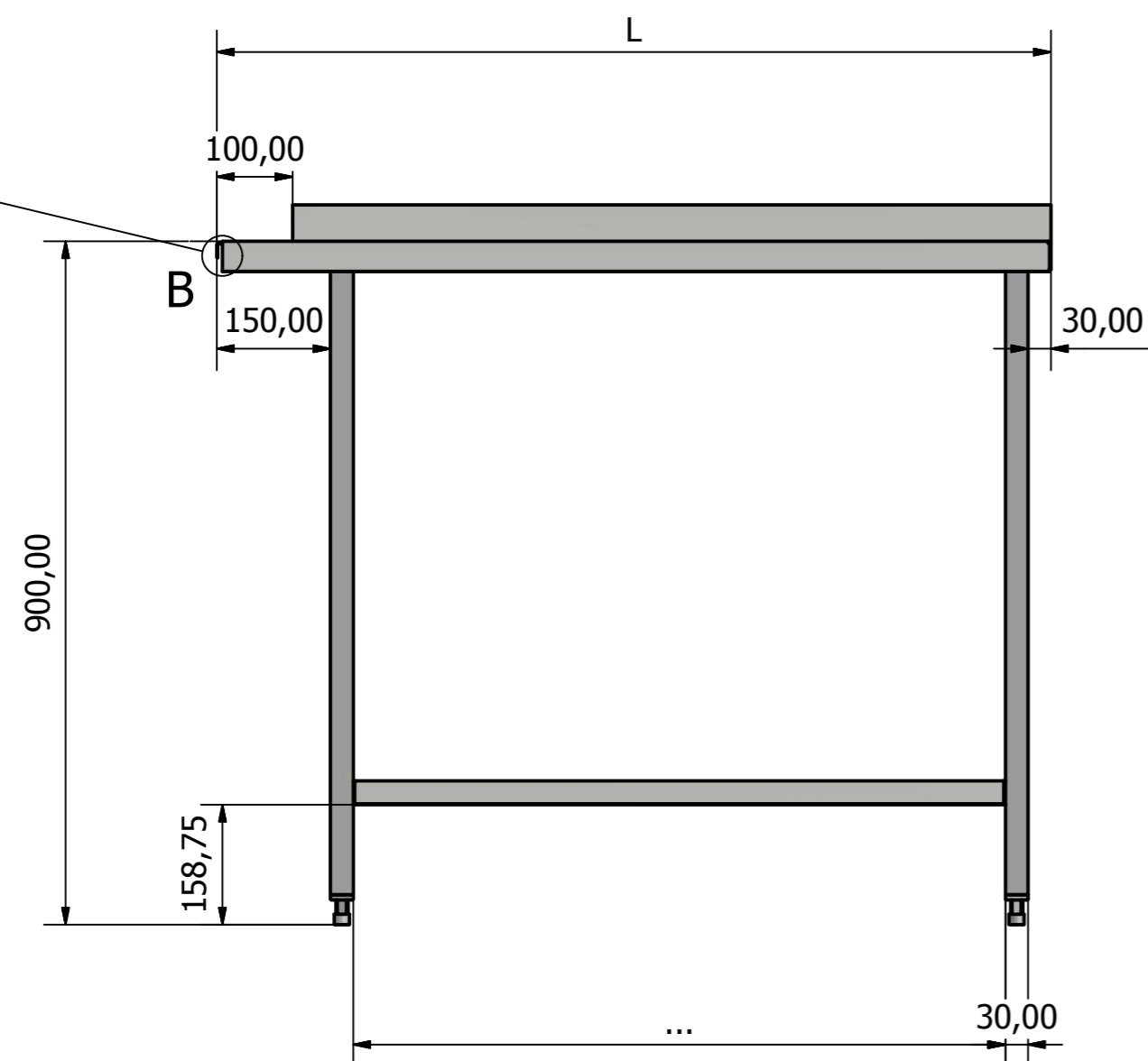
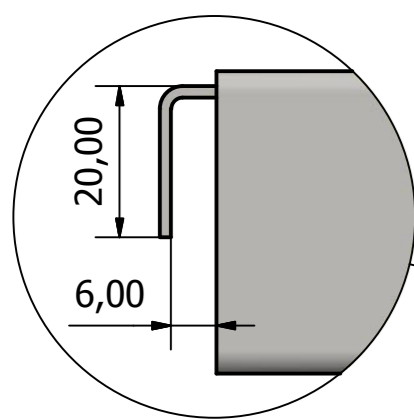


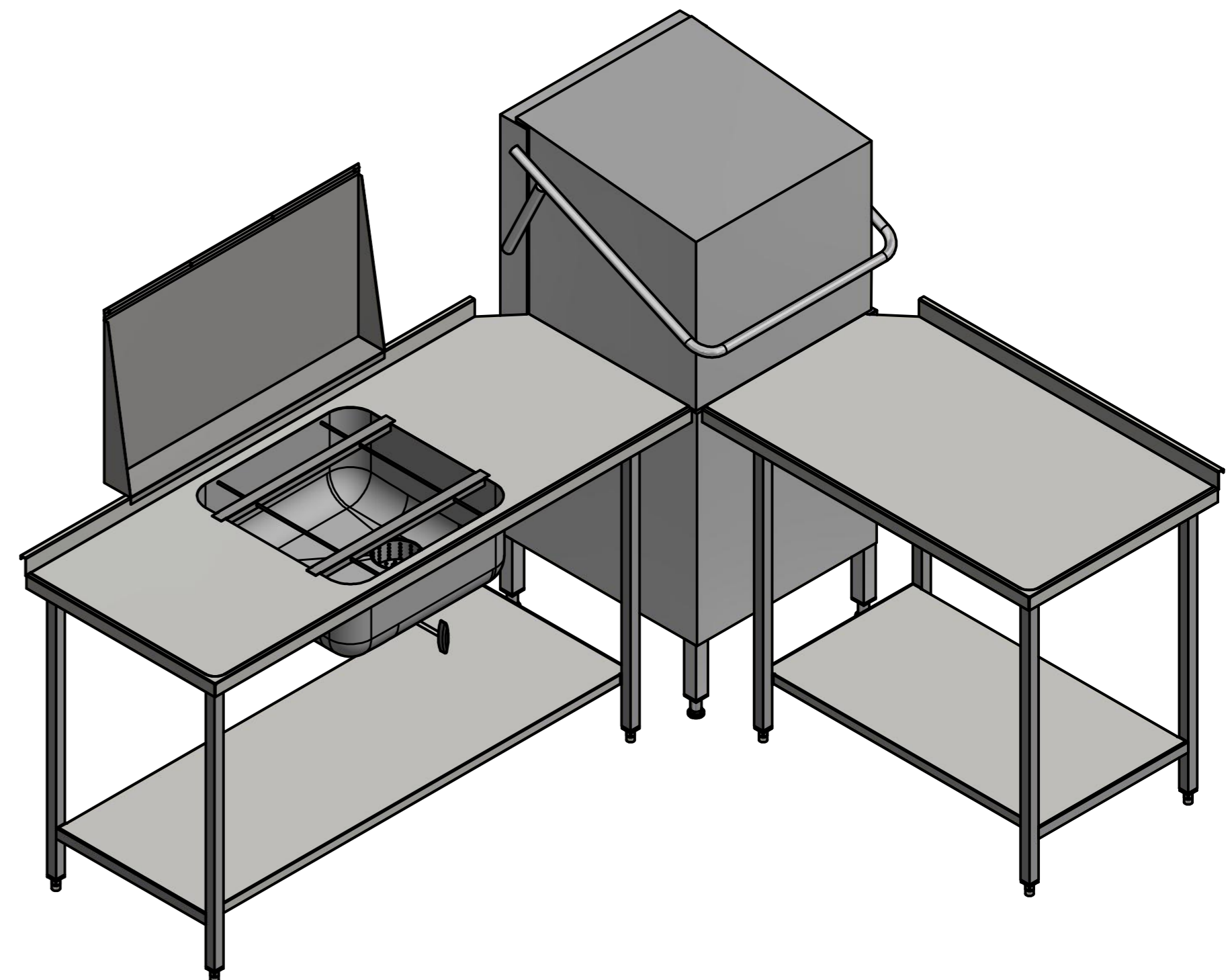
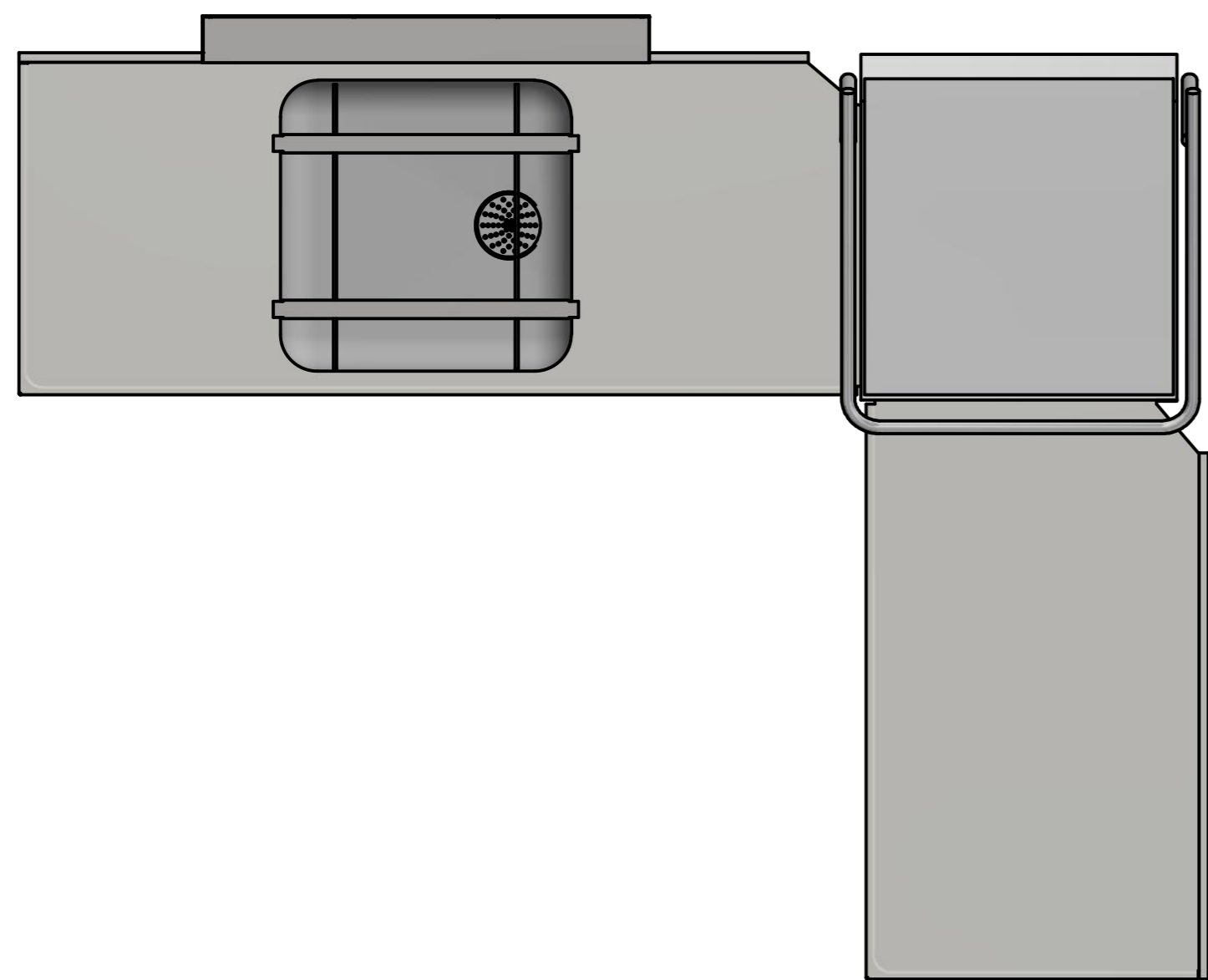
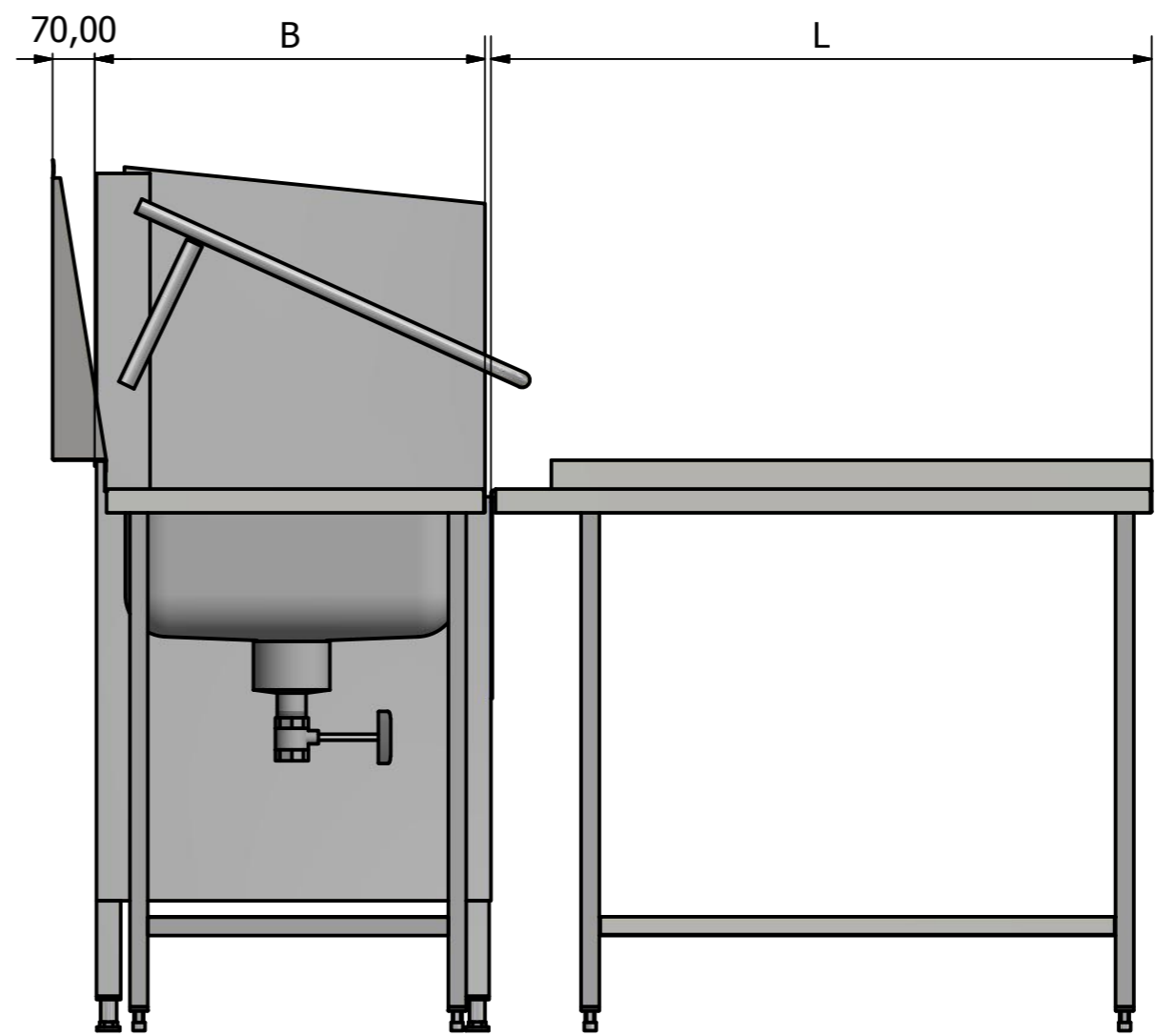
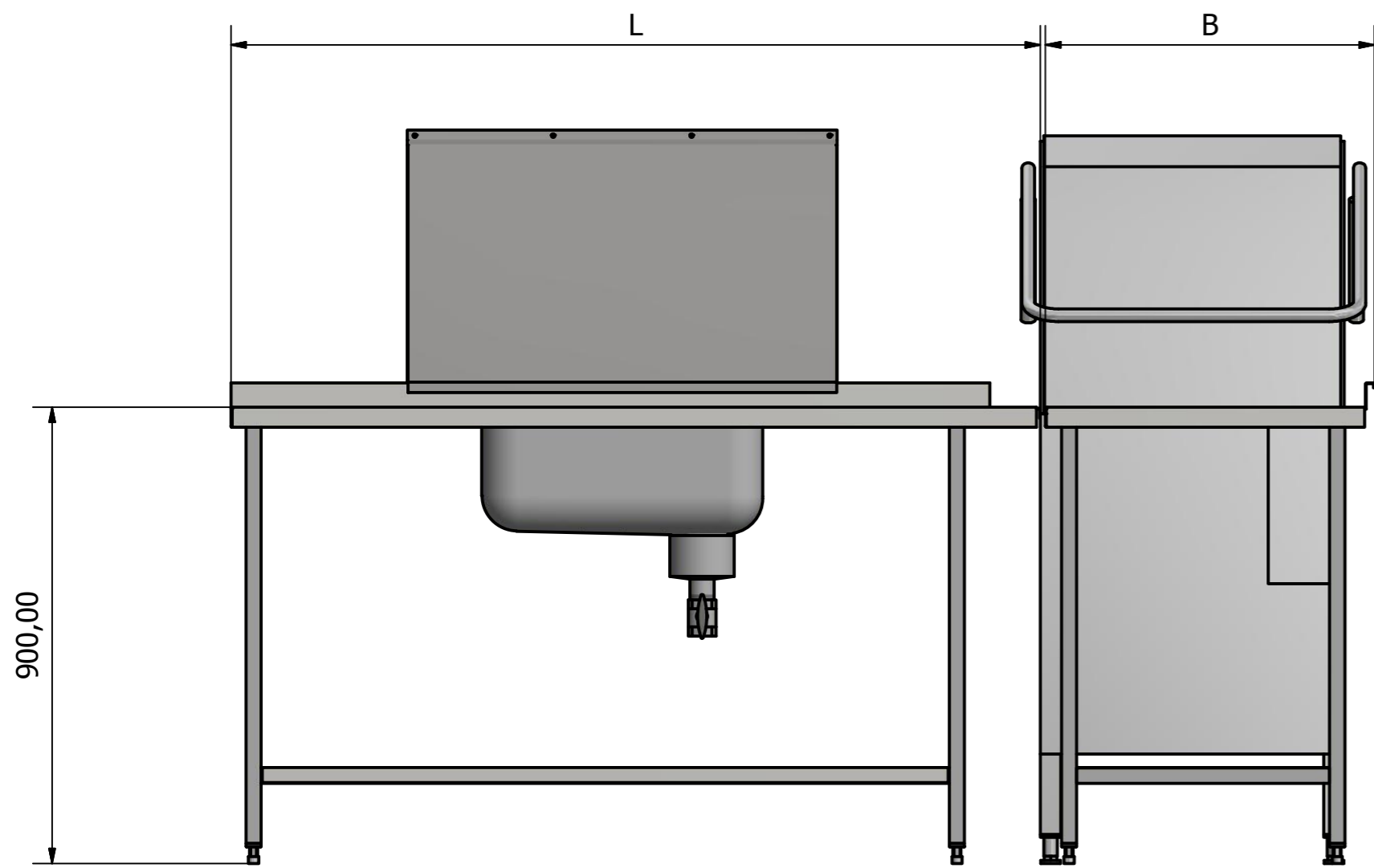
Toleranser:		
0-1000mm	1000-2000mm	2000-3000mm
± 1,5mm	± 3mm	± 4,5mm

Designed by Hans Magnus Dahlsrud	Checked by	Approved by	Date 21.03.2017	Version	Date 21.03.2017	Sheet 1 / 3
			VM Benker			
			VM Benk inn			

B ( 1:1 )



Toleranser:			Designed by Hans Magnus Dahlsrud	Checked by	Approved by	Date	Versjon	Date	Sheet
0-1000mm	1000-2000mm	2000-3000mm	 <b>RUSTFRI SPESIAL PRODUKSJON AS</b>			21.03.2017			2 / 3
± 1,5mm	± 3mm	± 4,5mm				VM Benker			VM Benk ut



Toleranser:		
0-1000mm	1000-2000mm	2000-3000mm
± 1,5mm	± 3mm	± 4,5mm

Designed by Hans Magnus Dahlsrud	Checked by	Approved by	Date	Version	Date	Sheet
			21.03.2017			3 / 3
<b>RSP</b> RUSTFRI SPESIAL PRODUKSJON AS					VM Benker	
					VM Benker	